



CLEAR PICTURE
IMAGE CLAIR

BELKIN®



CLEAN SOUND
SON CLAIR

Home Theater Power Protection with PureFilter™ Technology
Protection d'alimentation pour cinéma maison doté
de la technologie PureFilter^{MD}

Power Console PF60
Console d'alimentation PF60

User Manual Manuel d'utilisation



Table of Contents

	Page
Introduction	2
Safety Precautions	3
Package Contents	4
Power Console Features	5
Hookup and Installation	
Step 1 (optional) Mounting your Power Console	7
Step 2 Program the Outlet Banks	8
Step 3 Connect Digital Components to Digital Filter 1 and Digital Filter 2 (Bank 01 and Bank 02)	10
Step 4 Connect Video Components to the Video Filter (Bank 03)	11
Step 5 Connect Audio Components to Audio Filter 1 and Audio Filter 2 (Bank 04 and Bank 05)	12
Step 6 Connect High-Current Audio Filter (Bank 06)	13
Step 7 Connect your Coaxial-Cable/DSS Lines	14
Operation	15
Troubleshooting	17
Glossary of Power Terms	19
Belkin Connected Equipment Warranty	20

Introduction

Thank you for purchasing the Belkin Power Console PF60. The Power Console is designed to clean, protect, and efficiently distribute power to your valuable home theater system. Belkin ensures that every movie you watch and every album you hear is as clean and clear as possible.

The Power Console is packed with innovative features to provide you with the best home theater experience. Ordinary household AC power that is delivered to your home is polluted with “noise” from many sources within your home, including digital components and household appliances. The Power Console’s advanced Phase 5 PureFilter Circuitry is optimized to remove electrical noise and provide clean and clear power to all of your valuable digital audio and video equipment. The multiphase PureFilter Circuitry also provides true isolation between audio, video, and digital components. This isolation prevents noise created by components that are already connected to the Power Console from contaminating other connected equipment. In addition, the Power Console contains Advanced Overvoltage Protection, which automatically disconnects power from your equipment when the input voltage reaches a dangerous level, and restores power automatically when the voltage returns to a safe level.

We also realize that the aesthetics of your system are very important. For this reason, we enlisted some of the top industrial designers in the country to design the housing for the Belkin Power Console. The minimalist styling of the Power Console combines function with a simplistic yet elegant design and is a great complement to any system. The integrated multifunction LCD combines all essential controls with a versatile voltage and current monitor.

As you may know, your AC power source is not the only threat to the safety of your equipment. This is why the Belkin Power Console has three sets of coaxial connections to protect your coaxial-cable lines.

Providing the ultimate home theater experience is the driving force behind the Belkin design, providing the clearest picture and cleanest sound from your components to you. Thank you again for purchasing the Belkin Power Console PF60.

Clear Picture - Clean Sound. Belkin.

Safety Precautions

WARNING - Grounding and Polarization

This product must be plugged directly into a grounded AC power outlet (3-prong). Do not use a 3-to-2-prong adapter to defeat the grounding pin. Do not plug or "daisy-chain" this product into other electrical products such as surge protectors, power strips, or UPSes. Do not plug this product into an extension cord. Failure to plug this product directly into a grounded outlet may result in personal injury or damage to your equipment. Call a licensed electrician if you are unsure if your AC outlets are properly grounded.

WARNING - Rooftop Antennas and Satellite Dishes

If you use rooftop antennas, satellite dishes, or any other rooftop hardware that connects to your Belkin Power Console, make sure that all the wires leading from these components are properly grounded. This will protect against voltage surges from lightning strikes or static charges.

WARNING - Lightning Storm Protection

Although your Belkin Power Console is built to withstand large power surges, we cannot guarantee that it will protect all of your equipment in the event of a large lightning storm. In the event of a lightning storm, it is best to unplug your Power Console from the wall. Once you have done this, there is no need to unplug any of the equipment that is connected to the Power Console.

WARNING - Water and other Liquids: Shock Hazard

Do not use this product with aquariums or other water-related products. Use indoors and in dry locations only. Do not operate the Power Console if any liquid is spilled on or in the unit. Failure to follow these guidelines could result in serious bodily injury or death.

WARNING - Cleaning

Always unplug the Power Console before cleaning. It is only necessary to clean the Power Console with a clean, dry cloth or duster. Do not use any cleaning solutions, sprays, or water.

WARNING - No User-Serviceable Parts Inside

If for any reason your Power Console is malfunctioning, do not attempt to repair or dismantle the unit in any way. Unplug the unit and consult this User Manual for warranty and service contact information.

WARNING - Power Cord Safety

Do not route the Power Console's AC power cord near heat sources. This could damage the power cord and cause it to malfunction, creating a shock hazard.

Do not route the Power Console's AC power cord in heavy foot-traffic areas where it could create a trip hazard (hallways, doorways, across room).

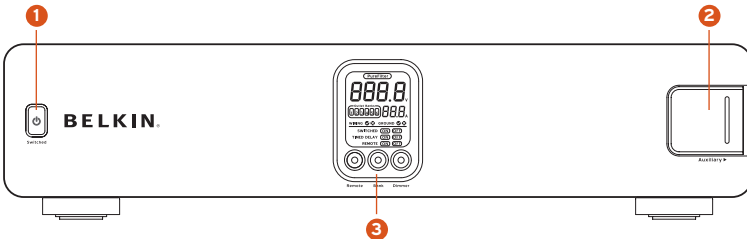
If the power cord is frayed, ripped, cut, or damaged in any way, please discontinue use immediately and refer to the warranty section of this Manual for instructions.

Package Contents

- Belkin Power Console PF60 Home Theater Power Protection with PureFilter Technology
- One sheet of Belkin cable labels
- One pair of rack-mount brackets and bag of assembly screws
- User Manual

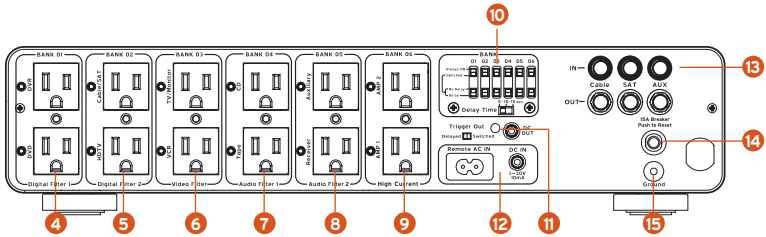
Power Console Features

1. **Switched button** - turns the power on and off to the Power Console's "switched" outlets
2. **Auxiliary outlet** - offers optimal connection for digital components and is ideal for temporary connection of equipment such as video/digital cameras, game consoles, or any device you wish to power
3. **Central LCD Control** - controls and monitors the Power Console's vital functions
4. **Digital Filter 1** - ensures optimum reduction of line noise and interference to your digital components
5. **Digital Filter 2** - ensures optimum reduction of line noise and interference to your digital components
6. **Video Filter** - ensures optimum reduction of line noise and interference to your video components
7. **Audio Filter 1** - ensures optimum reduction of line noise and interference to your audio components
8. **Audio Filter 2** - ensures optimum reduction of line noise and interference to your audio components
9. **HiCurrent™ Filter** - delivers high current to power-hungry amplifiers and receivers; optimized to filter out line noise to these components
10. **Programmable bank switches** - allows you to program each bank of outlets



Power Console Features

- 11. **Trigger Out** - allows for remote operation of peripheral devices equipped with a low-voltage trigger
- 12. **Remote AC/DC trigger** - allows for remote turn on/off of switched outlets on the Power Console (equipped with both AC and DC inputs)
- 13. **Coaxial-Cable Line Input/Output** - protects coaxial cable lines from dangerous electrical disturbances that can travel down your coaxial cable lines
- 14. **15-Amp Circuit Breaker** - offers safety of resettable circuit breaker
- 15. **Ground** - provides a grounding point for ungrounded components



Hookup and Installation

Step 1 (optional)

Mounting your Power Console

The Belkin Power Console can be mounted to a standard AV equipment rack or inside a cabinet equipped with an equipment rack.

1. Remove the brackets and mounting screws from the box.
2. Make sure that the Power Console is unplugged.
3. Align the bracket with the front of the Power Console for flush installation in the rack.
4. Attach the bracket to the side of the Power Console with the screws provided (Fig. 1). You must use a minimum of four screws to mount each bracket.
5. Repeat steps 3 and 4 for installation of the bracket to the other side of the Power Console.
6. Mount the Power Console to the equipment rack. Screws for mounting the Power Console to the equipment rack are not provided as they are made specifically for the particular equipment rack that you own. Contact the manufacturer of the rack if you do not have the correct mounting screws.

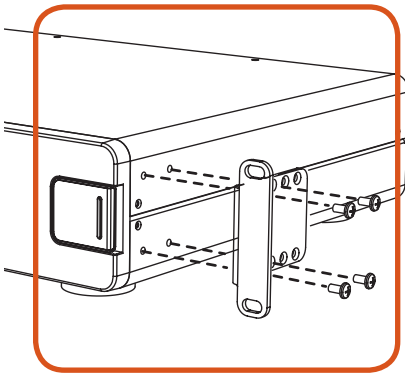


Figure 1

Hookup and Installation

Step 2

Program the Outlet Banks

Each outlet bank on the rear panel of the Power Console is programmable. Using the slide switches on the rear panel, you can program the outlets for switched or unswitched, and for delay or always-on (no delay) (Fig. 2). You can also determine the length of the delay (5, 10, or 15 seconds).

- A. Outlet Banks Always-On (unswitched):** For components that need to retain memory or other settings (DVRs, satellite receivers, VCRs), set the top slide switch to “Always ON” (Fig. 2a). These outlet banks will always supply power when the Power Console is plugged into the wall.
- B. Outlet Banks Switched On (no delay):** Set the top slide switch to “Switched”. Make sure that the lower slide switch is set to “No Delay” (Fig. 2b). The outlet banks will be immediately powered-on when the Power Console is switched-on by pressing the “Switched” button on the front of the unit. Switched outlets can also be switched-on by external remote signal (see page 15). These outlets will remain powered-on for a short period of time after switching them off depending on the “Delay Time” setting (see “Delay Time Switch” below).
- C. Outlet Banks Switched On After Delay:** You may find it necessary to program your outlets to switch on after a delay. Once the delay is set, the outlets will be powered-on after the outlets that are set for “no delay” have powered-on. They will then power-off in reverse sequence: “delay” outlets will power-off first and “no delay” outlets will power-off last. This is useful to avoid the loud and occasionally damaging “thump” created when the amplifier voltage is stabilizing.
- Set the top slide switch to “Switched” and the bottom slide switch to “Delay” (Fig. 2c).
 - Repeat this for each bank that you want to be switched on after a delay.
 - Press the “Switched” button on the front of the Power Console to activate all of the switched outlets

Note: The delay can only be set on “Switched” outlets.

- D. Delay Time Switch:** This switch sets the length of delay for all outlet banks that are programmed as “Switched” and “Delay”. Set the delay time by selecting 5, 10, or 15 seconds (Fig. 2d). 15 seconds is the recommended delay time for tube amplifiers.

Hookup and Installation

E. Trigger Out: The trigger out function gives you the ability to control an external device equipped with a remote trigger such as a retractable movie screen when the Power Console is switched on. The 12-volt DC OUT port accepts a 1/8" mini plug cable. Set the "Trigger Out" switch to "Delayed" and the Trigger Out will power an external device after a delay set by the Delay Time Switch. If you do not want a delay then set the "Trigger Out" switch to "Switched" (Fig. 2e).

Figure 2

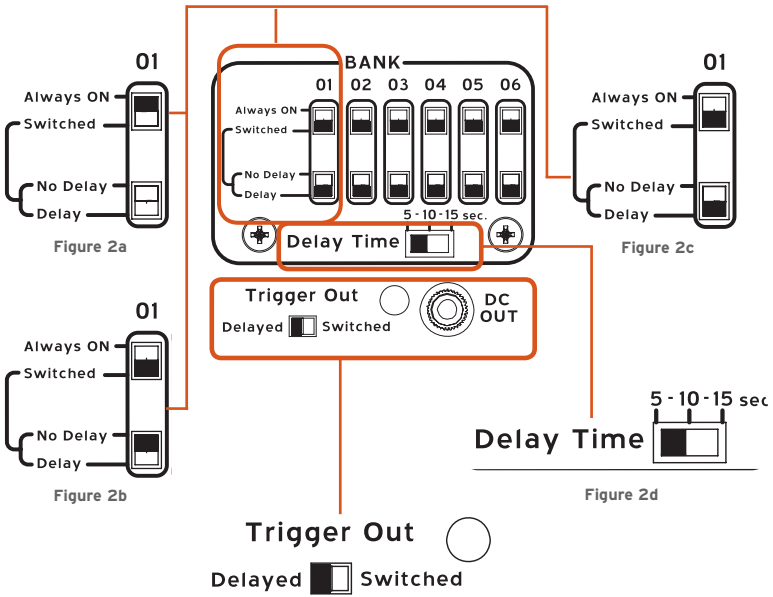


Figure 2e

Hookup and Installation

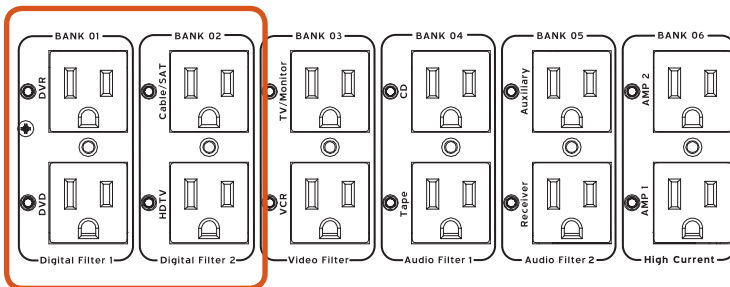
Step 3

Connect Digital Components to Digital Filter 1 and Digital Filter 2 (Bank 01 and Bank 02)

The Belkin Power Console PF60 contains two isolated digital filters that are optimized to clean and condition the power to all of your digital components. The digital filters also filter out noise created by digital components such as DVD players and isolate your digital components from connected video, audio, and high-current audio components.

- A. Attach Belkin power cord labels** to each component's power cord before you plug the cord into the corresponding outlet on the Power Console.
- B. Cable/Satellite** - Connect your cable or satellite receiver power cord to the outlet labeled "Cable/SAT".
- C. HDTV** - Connect your HDTV power cord to the outlet labeled "HDTV".
- D. Digital Video Recorder** - Connect your digital video recorder power cord to the outlet labeled "DVR".
- E. DVD** - Connect your DVD power cord to the outlet labeled "DVD".

Note: You can connect any type of digital component into any of the digital filter outlets. You are not limited to the components listed above.



Hookup and Installation

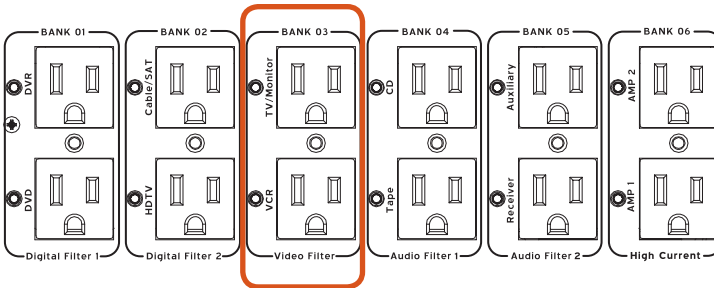
Step 4

Connect Video Components to the Video Filter (Bank 03)

The Belkin Power Console PF60 contains an isolated video filter that is optimized to clean and condition the power to all of your video components. The video filter also isolates your video components from connected digital, audio, and high-current audio components.

- A. **Attach Belkin power cord labels** to each component's power cord before you plug the cord into the corresponding outlet on the Power Console.
- B. **TV** - Connect your TV or monitor power cord to the outlet labeled "TV/Monitor".
- C. **VCR** - Connect your VCR power cord to the outlet labeled "VCR".

Note: You can connect any type of analog video component into any of the video filter outlets. You are not limited to the components listed above.



Hookup and Installation

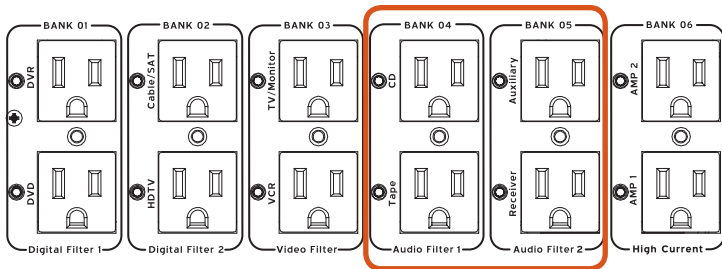
Step 5

Connect Audio Components to Audio Filter 1 and Audio Filter 2 (Bank 04 and Bank 05)

The Belkin Power Console PF60 contains two isolated audio filters that are optimized to clean and condition the power to all of your audio components. The audio filters also isolate your audio components from connected digital, video, and high-current audio components.

- A. Attach Belkin power cord labels** to each component's power cord before you plug the cord into the corresponding outlet on the Power Console.
- B. CD** - Connect your CD player power cord to the outlet labeled "CD".
- C. Tape** - Connect your tape player power cord to the outlet labeled "Tape".
- D. Auxiliary** - This outlet can be used to connect any other audio equipment you may have.
- E. Receiver (Preamp)** - Connect your receiver or preamp power cord to the outlet labeled "Receiver".

Note: You can connect any type of audio component into any of the audio filter outlets. You are not limited to the components listed above.



Hookup and Installation

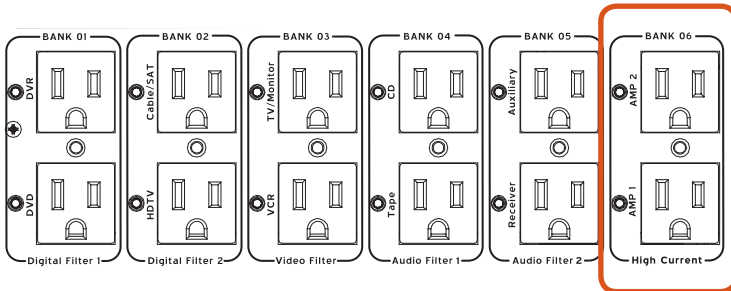
Step 6

Connect High-Current Audio Filter (Bank 06)

This outlet is specifically designed to filter out AC line noise while delivering maximum current to power-hungry amplifiers and other high-current audio components.

- A. **Attach Belkin power cord labels** to each component's power cord before you plug the cord into the corresponding outlet on the Power Console.
- B. **AMP 1** - Connect your main amplifier power cord to the outlet labeled "AMP 1".
- C. **AMP 2** - Connect your secondary amplifier power cord to the outlet labeled "AMP 2".

Note: You can connect any type of high-current audio component into any of the high-current outlets. You are not limited to the components listed above.



Hookup and Installation

Step 7

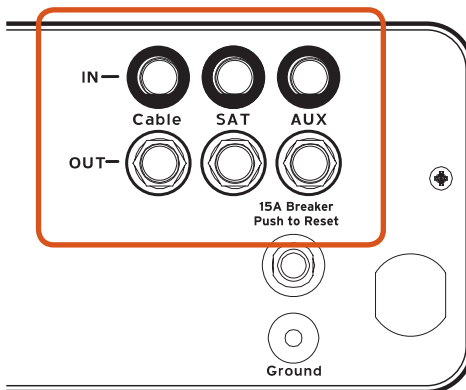
Connect your Coaxial-Cables/DSS Lines

Your Belkin Power Console comes with three pairs of coaxial-cable connections to protect your system from dangerous electrical disturbances that can travel down your coaxial-cables lines. You will need additional coaxial cables to connect the Power Console to your home theater components.

1. **Cable TV** - Connect the incoming cable television coaxial-cable line to the connector labeled "Cable IN". Connect one end of a second coaxial cable to the connector labeled "Cable OUT". Connect the other end of this cable to your cable TV tuner.
2. **Satellite (DSS) TV** - Connect the incoming satellite television coaxial-cable line to the connector labeled "SAT IN". Connect one end of a second coaxial cable to the connector labeled "SAT OUT". Connect the other end of this cable to your satellite TV tuner.
3. **Auxiliary** - Connect the incoming TV or radio antenna cable line to the connector labeled "AUX IN". Connect one end of a second coaxial cable to the connector labeled "AUX OUT". Connect the other end of this cable to your TV or radio equipment.

Note: We have included labels for the Coax IN and Coax OUT lines if needed for better organization.

***IMPORTANT WARNING - To sufficiently safeguard all of your equipment from damage resulting from a power surge, all of your incoming coaxial-cable lines should be properly grounded. Contact a licensed electrician to verify that all of your cable lines are properly grounded to a cold water pipe or ground rod.**



Operation

Central LCD Control Panel

The Belkin Power Console PF60 is equipped with an advanced LCD Control Panel. Most functions of the Power Console can be monitored from this display.

- A. PureFilter Indicator** - indicates that the multiphase PureFilter circuitry is functioning properly.
- B. Voltmeter** - displays the input voltage (the amount of voltage coming from the AC wall outlet to the Power Console).
- C. Current Meter** - displays the output current (the amount of current output [in Amps] from the Power Console's outlet banks). You can choose to see the current output from all of the banks at the same time or individual banks using the "Bank Selector" button.
- D. Outlet Banks** - displays the currently selected bank for monitoring output current (controlled with the "Bank" button).
- E. Wiring** - indicates whether the AC outlet to which the Power Console is connected is wired properly, or cross-wired.
 - Wiring ok.
 - Hot and neutral wires are reversed. See page 18 of the Troubleshooting section for more information.
- F. Ground** - Indicates if the Power Console is connected to a properly grounded AC outlet.
 - Ground ok. The AC wall outlet is properly grounded.
 - Ground Fault. This indicates that the AC wall outlet is NOT properly grounded. See page 18 of the Troubleshooting section for more information.
- G. Switched Indicator** - indicates whether the "Switched" outlets are switched ON or OFF.
- H. Timed Delay Indicator** - indicates that the delayed outlets are switched ON after a delay.
- I. Remote Indicator** - indicates whether the Remote function is ON or OFF (controlled with the "Remote" button).
- J. Remote Button** - switches the Power Console to Remote ON status when pressed. (When in Remote ON status, the Power Console outlets programmed as switched are turned ON/OFF via external remote signal [see page 8-9].)

Operation

- K. Bank Selector Button** - lets you select which outlet banks you want to monitor; press the button repeatedly to choose either a single bank (Fig. 3a) or all banks (Fig. 3b).
- L. Dimmer Button** - adjusts the brightness of the LCD Control Panel; press it repeatedly to change the brightness level.

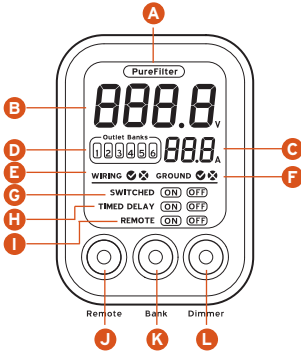


Figure 3a



Figure 3b

Auxiliary Power Outlet

The Power Console is equipped with a front auxiliary power outlet. This outlet contains a digital noise filter and is a convenient place to connect digital video cameras, digital still cameras, MP3 players, or any other portable device in need of AC power. Simply remove the small door covering the outlet by sliding it to the right (Fig. 4) and plug in your device. This outlet is always live (always-on) when the Power Console is plugged into AC power. The "Switched" button does not control the auxiliary outlet.

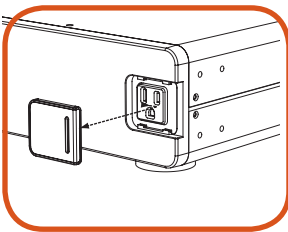


Figure 4

Troubleshooting

Power Console is not providing power

- Check to ensure that the Power Console is plugged into a properly grounded AC wall outlet. Some outlets require a wall switch to be turned on in order to deliver power to the outlet.
- Too many devices may be plugged into the Power Console, which are overloading the unit and tripping the overload circuit breaker. The Power Console is not designed to handle current loads larger than 15 Amps or 1800 watts. Try unplugging some devices and resetting the circuit breaker located on the end of the Power Console.

To reset the circuit breaker: Wait at least 10 minutes after the circuit breaker was tripped before attempting to reset the breaker. Press in the button located next to the power cord on the end of the unit to reset. Power should be restored to the outlets on the Power Console.

- Your components may be plugged into a “Switched” outlet and the outlet is not switched on. Check to ensure that the “Switched ON” indicator on the Control Panel is illuminated. If the light is not illuminated, press the “Switched” button on the front of the Power Console unit until the “Switched ON” indicator is illuminated. You should now have power to all of the switched outlets.
- Your components may not be turned on. Power may be flowing from the Power Console, but if the power switch on your component is not turned on then your component cannot receive power. Turn on the power switch on your component.
- The Power Console is designed to stop delivering power to all outlets when the surge-protection circuitry is not functioning properly or is expired. Call Belkin Customer Service for assistance.
- The Power Console may be defective. Call Belkin Customer Service for assistance.

Troubleshooting

Ground Fault indicator is lit

GROUND

- Check to make sure that the Power Console is plugged into a grounded AC wall outlet. (3-prong AC outlets only. Do not use 2-3-prong adapters.)
- If the “Ground” light is still not lit, you have a ground-wiring problem. Connecting the Belkin Power Console to an improperly grounded outlet is not safe and will void all Belkin warranties. Unplug the Power Console and consult an electrician to properly ground the outlet. If the outlet is properly grounded and the “Ground Fault” indicator is still lit, the Power Console may be malfunctioning. Please call Belkin Customer Service for assistance.

Cross-Wired indicator is lit

WIRING

- Check to make sure that the Power Console is plugged into a grounded AC wall outlet. (3-prong AC outlets only. Do not use 2-3-prong adapters.)
- This indicates that the hot and neutral (L-N) wires are reversed. Unplug the Power Console and consult an electrician.

For all other technical questions or troubleshooting issues, please contact Belkin Customer Service at 800-223-5546.

Glossary of Power Terms

Alternating Current (AC): The current that is commonly flowing through the electrical outlets in your home. It is an electrical current in the form of a sine wave that oscillates up and down continuously.

Amp: An abbreviation for Ampere. This is a unit of electrical current.

Direct Current (DC): An electrical current flowing in one direction only. DC current does not have a wave form.

Electromagnetic Interference (EMI): Electrical interference generated by appliances and many other electrical components that cause degradation of sound and picture quality in audio and video equipment.

Ground: A conducting object, such as a wire, that is connected to a position of zero-voltage potential. Common connecting points are ground rods or cold-water pipes that are connected to the Earth.

Joule Rating: A measure of electrical energy. The higher the joule rating, the more electrical surges a device can absorb before failing.

Maximum Spike Current: The maximum current (in Amps) that can be absorbed before failing. The higher the maximum spike current, the more current a device can absorb without failing.

Radio Frequency Interference (RFI): Electromagnetic radiation, which is emitted by electrical circuits carrying rapidly changing signals as a by-product of their normal operation, and which causes interference or noise to be induced in other circuits.

Spike: A very fast transient variation in voltage or current. Many small transients, over time, cause components to wear and fail.

Surge: An increase in voltage or current significantly above the designated level in a flow of electricity.

Belkin Connected Equipment Warranty

Belkin International, Inc. ("Belkin") warrants to the original purchaser of any Belkin Power Console for the life of the product, that the Belkin Power Console shall be free of defects in design, assembly, material, or workmanship, and will repair or replace, at its option, any defective product free of charge.

Belkin will repair or replace, at its option, any equipment which is damaged by a transient voltage surge/spike or lightning strike, (an "Occurrence"), while properly connected through a Belkin Power Console to a properly wired AC power line with protective ground. If you are using an AC Belkin Power Console that has phone, network, or coaxial protection, the telephone line, network line, and coaxial-cable line must be properly connected and installed, as determined by Belkin at its sole discretion.

This Connected Equipment Warranty is a Limited Warranty, subject to the limitations and exclusions set forth herein.

Belkin will spend, to repair or replace the damaged connected equipment, at Belkin's option, an amount equal to the fair market value of the damaged equipment or the original purchase price of the equipment, whichever is less, up to the maximum amount set forth below:

Models AP20800, AP21100, AP41300 Up to a maximum of \$500,000.00

The fair market value of the equipment shall be the current value of the equipment specified in the most recent edition of the Orion Blue Book by Orion Research Corporation, Roger Rohrs Publisher.

Belkin reserves the right to review the damaged Belkin Power Console, the damaged equipment, and the site where the damage occurred. All costs of shipping the Belkin Power Console and the damaged equipment to Belkin for inspection shall be borne solely by the purchaser. Belkin reserves the right to negotiate the cost of repairs. If Belkin determines, in its sole discretion, that it is impractical to ship the damaged equipment to Belkin, Belkin may designate, in its sole discretion, an equipment repair facility to inspect and estimate the cost to repair such equipment. The cost, if any, of shipping the equipment to and from such repair facility and of such estimate shall be borne solely by the purchaser. Damaged equipment must remain available for inspection until the claim is finalized. Whenever claims are settled, Belkin reserves the right to be subrogated under any existing insurance policies the claimant may have.

All above warranties are null and void if: the Belkin Power Console in use during the Occurrence is not provided to Belkin for inspection upon Belkin's request at the sole expense of the purchaser, Belkin determines that the Belkin Power Console has been improperly installed, altered in any way or tampered with, Belkin determines that the damage did not result from the Occurrence or that no Occurrence in fact took place, the repair or replacement of the damaged equipment is covered under a manufacturer's warranty, or Belkin determines that the connected equipment was not used

Belkin Connected Equipment Warranty

under normal operating conditions or in accordance with any labels or instructions. All Belkin Power Consoles must be plugged directly into the power source and must not be "daisy-chained" together in serial fashion with other power strips, UPSes, other surge protectors or extension cords. A 3-2-prong adapter may not be used. Any such installation voids the warranty. The Belkin Connected Equipment Warranty only protects against damage to properly connected equipment where Belkin has determined, in its sole discretion, that the damage resulted from an Occurrence, and does not protect against acts of God (other than lightning) such as flood, earthquake, war, vandalism, theft, normal-use wear and tear, erosion, depletion, obsolescence, abuse, damage due to low voltage disturbances (i.e. brownouts or sags), non-authorized program, or system equipment modification or alteration. *Please note: This product is not for use with aquariums and all other water-related products. Use only indoors and in dry locations.

This warranty contains the sole warranty of Belkin, there are no other warranties, expressed or, except as required by law, implied, including the implied warranty or condition of quality, merchantability or fitness for a particular purpose, and such implied warranties, if any, are limited in duration to the term of this warranty. Some states do not allow limitations on how long an implied warranty lasts, so the above limitations may not apply to you.

In no event shall Belkin be liable for incidental, special, direct, indirect, consequential, or multiple damages such as, but not limited to, lost business or profits arising out of the sale or use of any Belkin Power Console, even if advised of the possibility of such damages. This warranty gives you specific legal rights, and you may also have other rights, which may vary from state to state. Some states do not allow the exclusion or limitation of incidental or consequential damage, so the above limitations may not apply to you.

This warranty is valid only for the original purchaser of the product. All damage claims against the product must be made within 15 days from the date of the Occurrence and must be accompanied by a receipt for the damaged equipment or the warranty is void. Warranty is valid in USA, Canada, Puerto Rico, and Bermuda. To file a claim against the Belkin Connected Equipment Warranty, you must take the following steps: Contact Belkin online at www.belkin.com and print our claim form or write to us at:

Belkin Connected Equipment Warranty

Belkin International, Inc., 501 W. Walnut St., Compton CA 90220

Attn: Technical Support, or call (310) 898-1100, extension 2263, within 15 days of the Occurrence. Be prepared to provide the following information:

- a. The part number of the Belkin Power Console
- b. The equipment that was connected to the Belkin Power Console at the time of the Occurrence.
- c. The equipment that was damaged during the Occurrence and the extent of the damage.
- d. The date of the Occurrence.
- e. Where you purchased the Belkin Power Console.
- f. When you purchased the Belkin Power Console.
- g. Copy of original receipt.
- h. Your Belkin Customer Service Representative will then instruct you on how to forward your equipment, receipt, Belkin Power Console in use during the "Occurrence" and how to proceed with your claim.

Please conveniently register your Belkin Power Console online on our website at www.belkin.com.

**Belkin International, Inc. • 501 West Walnut Street •
Compton • CA • 90220 • Tel: 310.898.1100 • Fax: 310.898.1111**

Table des matières

	Page
Introduction	2
Mesures de sécurité	3
Contenu de l'emballage	4
Fonctions de la console d'alimentation	5
Branchement et installation	
Étape 1 (optionnel) Montage la console d'alimentation	7
Étape 2 Programmation des banques de fiches	8
Étape 3 Connexion de composants numériques avec des filtres1 et 2 (Banque 01 et banque 02)	10
Étape 4 Connexion de composants numériques avecun filtre vidéo (banque 03)	11
Étape 5 Connexion de composants audio avec des filtres audio 1 et 2 (banque 04 et 05)	12
Étape 6 Connexion de filtres audio de haute tension (Bank 06)	13
Étape 7 Connexion de lignes coaxiales, câble et DSS	14
Fonctionnement	15
Dépannage	17
Glossaire des termes relatifs à l'alimentation	19
Garantie Belkin sur les appareils branchés	20

Introduction

Nous vous remercions d'avoir fait l'achat d'une console d'alimentation Belkin PF60. La console d'alimentation est conçue pour nettoyer, protéger et distribuer efficacement l'alimentation de votre précieux cinéma maison. La console d'alimentation Belkin garantit que chaque film et chaque album est aussi clair et propre que possible.

La console d'alimentation renferme des fonctions innovatrices pour vous donner la meilleure expérience de cinéma maison qui soit. L'alimentation domestique ordinaire au courant alternatif de votre domicile est remplie de « bruits » provenant de plusieurs sources à l'intérieur de votre domicile comme les composants numériques et les électroménagers. La circuiterie Phase 6 évoluée de la console d'alimentation PureFilter a été optimisée afin d'éliminer les parasites d'origine électrique et donner une alimentation propre et claire pour tous votre équipement numérique, audio, vidéo et à haut voltage. La circuiterie multiphase PureFilter procure aussi une isolation importante entre les composants audio, vidéo, numériques et à haut voltage. Cette isolation empêche que les parasites d'origine électrique générés par les composants qui sont connectés à la console d'alimentation ne contaminent le reste de l'équipement qui est connecté. De plus, la console d'alimentation contient une protection évoluée contre la surtension, ce qui met automatiquement l'équipement tension lorsque la tension d'entrée atteint un niveau dangereux puis les met de nouveau sous tension lorsque la tension est à un niveau sécuritaire.

Nous réalisons aussi que l'esthétique de votre système est très importante. C'est pour cette raison que nous avons engagé les meilleurs designers industriels au pays pour concevoir l'habitacle de la console d'alimentation Belkin. Le style minimaliste de la console d'alimentation allie fonctionnalité et design d'une élégante simplicité, ce qui complète agréablement tout cinéma maison. L'écran ACL intégré multifonction combine tous les contrôles essentiels ainsi qu'un moniteur de courant et de voltage versatile.

Comme vous le savez peut-être, l'alimentation par courant alternatif n'est pas la seule menace à la sécurité de votre équipement. C'est pourquoi la console d'alimentation Belkin possède quatre jeux de connexions coaxiales pour protéger vos lignes coaxiales.

Vous fournir la meilleure expérience de cinéma maison a été la motivation derrière le design de la ligne Belkin afin de vous offrir l'image la plus claire et le son le plus pur. Nous vous remercions encore une fois d'avoir fait l'achat d'une console d'alimentation Belkin PF60.

Image claire - Son pur Belkin.

Mesures de sécurité

Avertissement - Mise à la terre et polarisation

Ce produit doit être branché directement dans une prise d'alimentation de courant alternatif avec mise à la terre (3 broches). Ne pas utiliser d'adaptateur 3 à 2 broches pour outrepasser la broche de la mise à la terre. Ne pas connecter ce produit dans d'autres produits électriques tels que parasurtenseur, bande d'alimentation, unité d'alimentation sans coupure (UPS) ou bien le connecter en « chaîne en guirlande ». Ne pas connecter ce produit dans une rallonge électrique. En ne pas branchant pas ce produit directement dans une prise avec mise à la terre, vous pouvez vous blesser ou endommager l'équipement. Contactez un électricien certifié si vous n'êtes pas certain si les prises CA possèdent bien une mise à la terre.

Avertissement - Si vous utilisez une antenne de toit

Une soucoupe ou tout autre équipement qui se place sur le toit et que vous connectez à la console d'alimentation Belkin, vérifiez si les fils ont bien été mis à la terre. Cela protégera contre les variations de tension lors de coups de foudre ou de charges statique.

Avertissement - Lightning Storm Protection

Bien que la console d'alimentation Belkin soit conçue pour résister à de grandes variations de tension, nous ne pouvons garantir qu'elle protégera votre équipement lors d'une grosse tempête électrique. S'il se produit une tempête électrique, il est préférable de débrancher la console d'alimentation du mur. Une fois que cela est fait, nul besoin de débrancher l'équipement qui est connecté à la console d'alimentation.

Avertissement - eau et autres liquides : Danger d'électrocution

N'utilisez pas ce produit avec des aquariums ou autres produits fonctionnant avec de l'eau. Utilisez à l'intérieur et dans des endroits secs seulement. Ne faites pas fonctionner la console d'alimentation si un liquide a été renversé ou s'il se trouve dedans. Ne pas suivre ces directives peut entraîner des blessures corporelles et même mortelles.

Avertissement - Nettoyage

Toujours débrancher la console d'alimentation avant de nettoyer. On peut simplement nettoyer la console d'alimentation à l'aide d'un chiffon sec et propre ou un chiffon à épousseter. Ne pas utiliser de produits nettoyants, de vaporisateurs ou d'eau.

Avertissement - No User-Serviceable Parts Inside

Si pour quelque raison que ce soit la console d'alimentation fonctionne mal, ne pas tenter de le réparer ou de le démonter en aucun cas. Débranchez l'unité puis consultez le manuel d'utilisation pour prendre connaissance des détails sur la garantie et les coordonnées du service de réparation.

Avertissement - Mesures de sécurité pour le cordon d'alimentation

Ne pas faire passer le cordon d'alimentation en courant alternatif de la console d'alimentation près d'une source de chaleur. Cela pourrait endommager le cordon d'alimentation et le faire mal fonctionner et ainsi entraîner un danger d'électrocution.

Ne pas faire passer le cordon d'alimentation en courant alternatif de la console d'alimentation dans les zones de très achalandées car il pourrait occasionner des chutes (passages, entrée de porte, directement à travers une pièce).

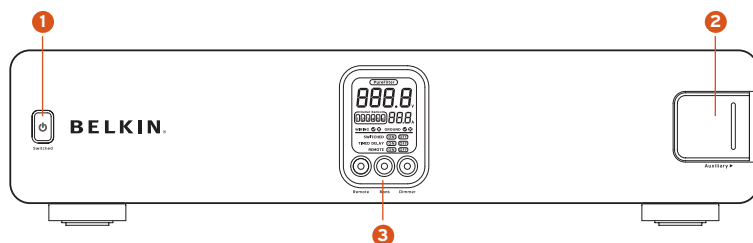
Si le cordon d'alimentation est effiloché, fendillé, coupé ou endommagé de quelque façon que ce soit, cesser immédiatement son utilisation puis consultez la section sur la garantie dans le manuel d'utilisation pour en savoir plus à ce sujet.

Contenu de l'emballage

- Console d'alimentation Belkin PF60
- Feuille d'étiquettes pour câble Belkin
- Une paire de supports pour montage en bâti et un sac de vis d'assemblage
- Manuel d'utilisation

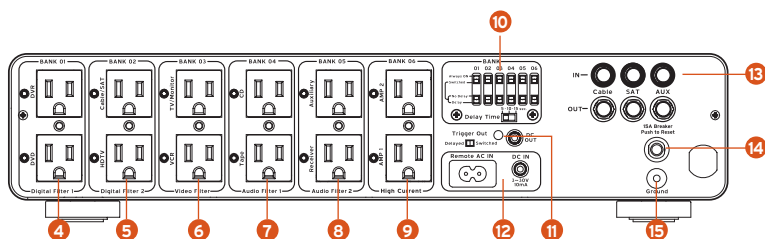
Fonctions de la console d'alimentation

1. **Bouton de liaison commutée** - allume et éteint les prises de liaison commutée de la console d'alimentation.
2. **Prise auxiliaire** - permet une connexion optimale pour les composants numériques et est l'idéal pour connecter de façon temporaire de l'équipement tel que caméras numériques, caméscopes, consoles de jeu ou tout appareil qui requiert une alimentation électrique
3. **Contrôle central par écran ACL** - contrôle et surveille les fonctions vitales de la console d'alimentation
4. **Filtre numérique 1** - réduit au maximum les parasites de ligne et les interférences pour les composants numériques.
5. **Filtre numérique 2** - réduit au maximum les parasites de ligne et les interférences pour les composants numériques.
6. **Filtre vidéo** - réduit au maximum les parasites de ligne et les interférences pour les composants vidéo.
7. **Filtre audio 1** - réduit au maximum les parasites de ligne et les interférences pour les composants audio.
8. **Filtre audio 2** - réduit au maximum les parasites de ligne et les interférences pour les composants audio.
9. **Filtre HiCurrent™** - Donne du courant aux amplificateurs et récepteurs qui nécessitent une grande quantité de courant et a été optimisé pour filtrer les parasites de ligne de ces composants
10. **Commutateurs programmables des banques** - vous permet de programmer chacune des banques de sortie



Fonctions de la console d'alimentation

11. **Sortie de déclenchement** - vous permet de contrôler à distance les périphériques dotés d'un interrupteur de basse tension
12. **Interrupteur CA/CC à distance** - vous permet d'allumer et de fermer les appareils commutés sur la console d'alimentation (équipé d'entrées CA et CC)
13. **Entrée/sortie pour câble coaxial** - protège les lignes coaxiales contre les dangereuses perturbations radioélectriques qui peuvent voyager sur les lignes coaxiales
14. **Disjoncteur 15 A** - permet un réenclenchement sécuritaire
15. **Mise à la terre** - fournit un point de masse pour tout composant non mis à la terre



Branchement et installation

Étape 1 (optionnel)

Montage de la console d'alimentation

La console d'alimentation Belkin peut être montée sur un bâti d'équipement audio vidéo standard ou à l'intérieur du meuble avec un bâti d'équipement.

- A. Retirez les supports et les vis de montage de la boîte.
- B. Assurez-vous que la console d'alimentation soit débranchée.
- C. Alignez le support avec le devant de la console d'alimentation pour l'installer sur le bâti.
- D. Fixez les supports sur le côté de la console d'alimentation avec les vis fournies (Fig. 1). Vous devez utiliser un minimum de quatre vis pour monter chaque support.
- E. Répétez les étapes 3 et 4 pour l'installation du support sur l'autre côté de la console d'alimentation.
- F. Montez la console d'alimentation sur le bâti d'équipement. Les vis pour le montage de la console d'alimentation sur le bâti d'équipement ne sont fournies puisqu'ils sont fabriqués spécifiquement pour le bâti d'équipement que vous possédez. Contactez le fabricant du bâti si vous n'avez pas les bonnes vis de montage.

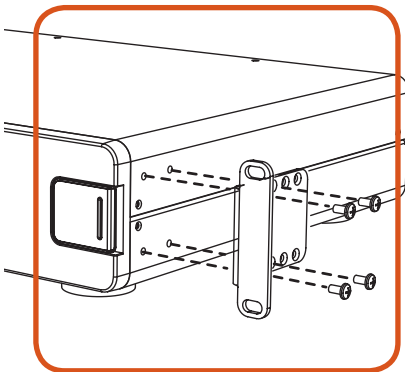


Figure 1

Branchement et installation

Étape 2

Programmation des banques de fiches

Chaque banque de prise sur le panneau arrière de la console d'alimentation est programmable. À l'aide des interrupteurs à glissière sur l'arrière du panneau, vous pouvez programmer les sorties pour un accès commuté ou non commuté et avec un délai ou en continu (sans délai) (Fig. 2). Vous pouvez aussi déterminer la longueur du délai (5, 10 ou 15 secondes).

- A. Banques de prise en continu (qui ne sont pas commutées):** Pour les composants qui fonctionnent avec de la mémoire ou autres paramètres (magnétoscopes numériques, récepteurs satellite, magnétoscopes), réglez l'interrupteur à glissière du haut à « Always ON » (Fig. 2a). Ces banques de prise seront toujours alimentées lorsque la console d'alimentation est branchée dans le mur.
- B. Banques de prise en continu (sans délai):** Réglez l'interrupteur à glissière du haut à « Switched ». Assurez-vous que l'interrupteur à glissière du bas est à « No Delay » (Fig. 2b). Les banques de prise seront immédiatement alimentées lorsque la console d'alimentation est mise sous tension en appuyant sur le bouton « Switched » sur le devant de l'unité. On peut aussi mettre sous tension les prises commutées à l'aide d'un signal externe à distance (voir la page 15). Ces sorties demeurent sous tension pour une courte période lorsqu'on les met hors tension à partir des paramètres « Delay Time » (Heure différée) (voir la section « Delay Time Switch » (Interrupteur pour heure différée) ci-dessous).
- C. Banques de sorties mises hors tension après un délai:** Il se peut que vous deviez programmer les sorties pour qu'elles s'allument après un délai. Lorsque le délai est réglé, les sorties seront mises sous tension une fois que les sorties réglées à « sans délai » sont allumées. Elles sont mises hors tension en séquence inverse : les sorties « avec délai » seront d'abord mises hors tension puis les sorties « sans délai » seront mises hors tension en dernier. cela est utile lorsqu'on veut éviter le son fort et quelquefois dommageable que fait le haut-parleur lorsque la tension de amplification se stabilise.
- Réglez l'interrupteur à glissière du haut à « Switched » (commuté) et l'interrupteur à glissière du dessous à « delay » (délai) (Fig. 2c).
 - Répétez cette opération pour chaque banque qui doit être mise sous tension après un délai.
 - Appuyez sur le bouton « Switched » sur le devant de la console d'alimentation pour activer toutes les sorties commutées.
- Remarque:** Appuyez sur le bouton « Switched » sur le devant de la console d'alimentation pour activer toutes les sorties commutées.
- D. Interrupteur pour heure différée:** Cet interrupteur règle la durée du délai pour toutes les banques de sorties qui sont programmées à « Switched » (commuté) et à « Delay » (délai). Réglez la durée du délai en sélectionnant 5, 10 ou 15 secondes (Fig. 2d). 15 secondes est la durée de temps du délai recommandé pour les amplificateurs à tube.

Branchement et installation

E. Sortie de déclenchement: Sortie de déclenchement: La fonction de sortie de déclenchement vous donne la possibilité de contrôler un appareil externe doté d'un interrupteur à distance comme un écran de cinéma rétractable lorsque la console d'alimentation est mise sous tension. Le port de sortie CC de 12 volts accepte un câble pour mini prise de 3,2 cm. Réglez l'interrupteur « Trigger Out » (sortie de déclenchement) à « Delayed » (avec délai) et la sortie de déclenchement allumera un appareil externe après un délai réglé par l'interrupteur pour heure différée (Fig. 2e). Si vous ne désirez pas de délai, réglez l'interrupteur « Trigger Out » (sortie de déclenchement) à « Switched » (commuté).

Remarque : Cette fonction vous permet aussi de contrôler à distance plusieurs consoles d'alimentation à l'aide du câble de contrôle CC à distance. Vous n'avez qu'à connecter le câble de sortie « DC OUT » sur l'entrée « DC IN » sur une autre console d'alimentation.

Figure 2

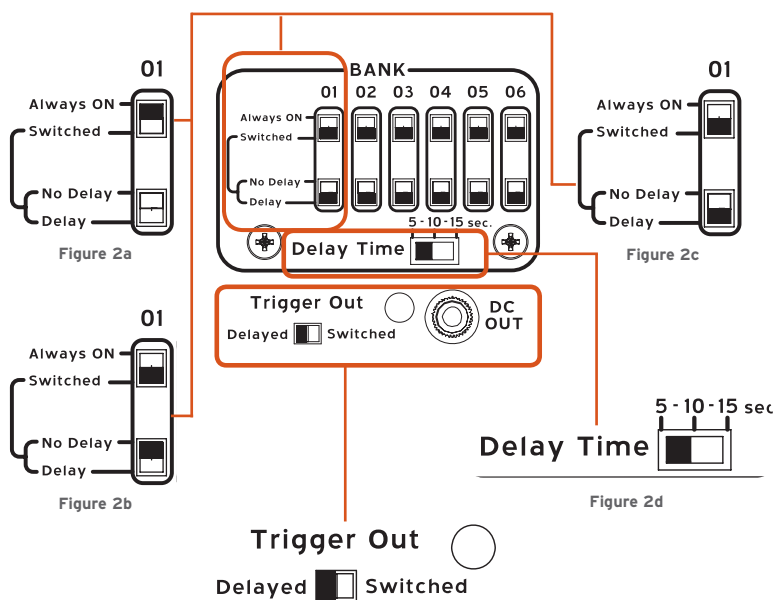


Figure 2e

Branchement et installation

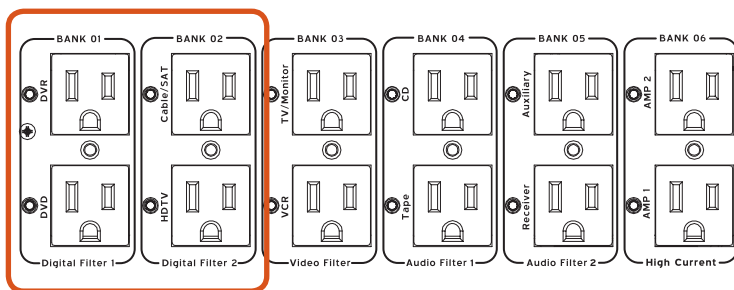
Étape 3

Branchez les composants numériques aux filtres numériques 1 et 2 (Banque O1 et O2)

La console d'alimentation PF60 Belkin contient deux filtres numériques indépendants qui ont été optimisés afin de nettoyer et conditionner l'alimentation de tous vos composants numériques. Les filtres numériques filtrent le bruit généré par les composants numériques tels que lecteurs DVD et isolent vos composants numériques et autres composants audio, vidéo et à haute tension.

- A. Fixez les étiquettes Belkin pour les cordons d'alimentation de chacun des composants avant de brancher le cordon dans la sortie correspondante sur la console d'alimentation.
- B. **Câble/Satellite** - Branchez le cordon d'alimentation de votre récepteur de câble ou satellite dans la sortie étiquetée « Câble/SAT ».
- C. **HDTV** - Branchez votre cordon d'alimentation HDTV à la sortie « HDTV ».
- D. **Magnétoscope numérique** - Branchez le cordon d'alimentation de votre magnétoscope numérique à la sortie « DVR ».
- E. **DVD** - Branchez votre cordon d'alimentation DVD à la sortie « DVD ».

Remarque: Vous pouvez brancher tout type de composant numérique dans n'importe quelle sortie de filtre numérique. Vous n'êtes pas limité aux composants énumérés ci-dessus.



Branchement et installation

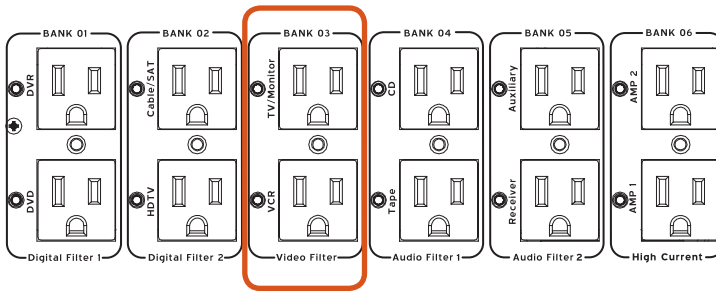
Étape 4

Branchement des composants vidéo au filtre vidéo (Banque 03)

La console d'alimentation PF60 Belkin contient un filtre numérique indépendant qui a été optimisé afin de nettoyer et conditionner l'alimentation de tous vos composants vidéo. Le filtre vidéo isole aussi les composants vidéo des composants numérique, audio et à haute tension.

- A. Fixez les étiquettes Belkin pour les cordons d'alimentation de chacun des composants avant de brancher le cordon dans la sortie correspondante sur la console d'alimentation.
- B. **TV** - Branchez le cordon d'alimentation de votre téléviseur ou de votre moniteur à la sortie « TV/Monitor ».
- C. **Magnétoscope** - Branchez votre cordon d'alimentation de votre magnétoscope à la sortie « VCR ».

Remarque: Vous pouvez brancher tout type de composant numérique dans n'importe quelle sortie de filtre vidéo. Vous n'êtes pas limité aux composants énumérés ci-dessus.



Branchement et installation

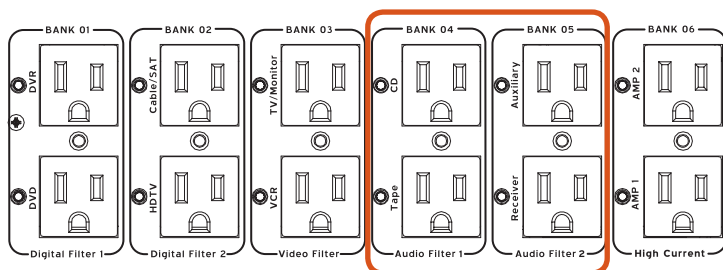
Étape 5

Branchez les composants audio aux filtres audio 1 et 2 (Banque 04 et 05)

La console d'alimentation PF60 Belkin contient deux filtres audio indépendants qui ont été optimisés afin de nettoyer et conditionner l'alimentation de tous vos composants audio. Le filtre audio isole aussi les composants audio des composants numériques, vidéo, audio et à haute tension.

- A. Fixez les étiquettes Belkin pour les cordons d'alimentation de chacun des composants avant de brancher le cordon dans la sortie correspondante sur la console d'alimentation.
- B. **Cd** - Branchez le cordon d'alimentation de votre lecteur CD à la sortie « CD ».
- C. **Bande magnétique** - Branchez le cordon d'alimentation de votre lecteur de bande magnétique à la sortie « Tape ».
- D. **Prise de courant auxiliaire:** Cette prise de courant peut être utilisée pour connecter tout autre équipement audio en votre possession.
- E. **Récepteur (Préampli)** - Branchez le cordon d'alimentation de votre récepteur ou votre préampli à la prise « Receiver ».

Remarque: Vous pouvez brancher tout type de composant audio dans n'importe quelle sortie de filtre audio. Vous n'êtes pas limité aux composants énumérés ci-dessus.



Branchement et installation

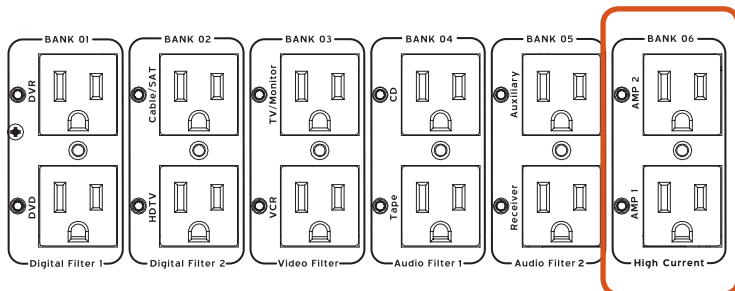
Étape 6

Branchement du filtre audio à haute tension (Banque 06)

Cette sortie a été conçue tout spécialement pour filtrer le bruit de ligne CA tout en livrant un courant maximum aux amplificateurs nécessitant beaucoup de puissance et autres composants audio à haute tension. Ces sorties doivent être programmées sur le mode « Delay ». Cela permet aux amplificateurs à haute tension d'être allumés les premiers et d'être éteints les derniers, ce qui évite d'entendre le bruit énervant et potentiellement dommageable qu'ils font dans vos hauts-parleurs.

- A. Fixez les étiquettes Belkin pour les cordons d'alimentation de chacun des composants avant de brancher le cordon dans la sortie correspondante sur la console d'alimentation.
- B. **AMP 1** - Branchement du cordon d'alimentation de l'amplificateur principal à la prise « AMP 1 ».
- C. **AMP 2** - Branchement du cordon d'alimentation de l'amplificateur secondaire à la prise « AMP 2 ».

Remarque: Vous pouvez brancher tout type de composant audio dans n'importe quelle sortie de filtre à haute tension. Vous n'êtes pas limité aux composants énumérés ci-dessus.



Branchement et installation

Étape 7

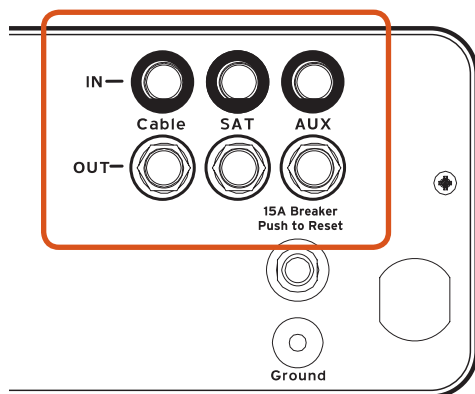
Branchement des câbles coaxiaux et DSS

La console d'alimentation Belkin vient avec trois paires de connexions pour câble coaxial pour protéger votre système contre les perturbations radioélectriques dangereuses qui voyagent le long des câbles coaxiales. Vous avez besoin de câbles coaxiaux additionnels pour brancher la console d'alimentation à vos composants de cinéma maison.

- A. Câblodistribution** - Branchez le câble coaxial d'entrée de la câblodistribution au connecteur " Cable IN ". Branchez une extrémité du second câble coaxial au connecteur " Cable OUT ". Branchez l'autre extrémité du câble au syntoniseur de la câblodistribution.
- B. Télé satellite (DSS)** - Branchez le câble coaxial d'entrée de la télé satellite au connecteur " SAT IN ". Branchez une extrémité du second câble coaxial au connecteur " SAT OUT ". Branchez l'autre extrémité du câble au syntoniseur de la télé satellite.
- C. Auxiliaire** - Branchez le câble d'entrée de l'antenne télé ou radio au connecteur " AUX IN ". Branchez une extrémité du second câble coaxial au connecteur " AUX OUT ". Branchez l'autre extrémité du câble à votre télé ou à l'équipement radio.

Remarque: Nous avons inclus des étiquettes pour les câbles coaxiaux entrants (IN) et sortants (OUT) si nécessaire pour une meilleure organisation.

AVERTISSEMENT IMPORTANT - Pour protéger adéquatement votre équipement contre les dommages résultant d'une saute de puissance, tous vos câbles coaxiaux doivent posséder une mise à la terre adéquate. Contactez un électricien agréé pour vérifier que toutes les lignes de câble possèdent une mise à la terre adéquate avec un tuyau d'eau froide ou un piquet de terre.



Fonctionnement

Panneau de contrôle ACL central

La console d'alimentation PF60 Belkin possède un panneau de contrôle ACL évolué. La plupart des fonctions de la console d'alimentation peuvent être surveillées à partir de cet affichage.

- A. Indicateur PureFilter** - indique que la circuiterie polyphase PureFilter fonctionne adéquatement.
- B. Voltmètre** - affiche la tension d'alimentation (le voltage qui passe de la prise murale CA à la console d'alimentation).
- C. Courantomètre** - affiche le courant de sortie (le courant qui passe [en ampères] de la console d'alimentation au banques de sorties). On peut faire afficher le courant de sortie pour toutes les banques en même temps ou seulement pour certaines banques à l'aide des boutons « Bank Selector » (sélection des banques).
- D. Banques de sortie** - affiche la banque sélectionnée pour surveiller le courant de sortie (contrôlé à l'aide du bouton « Bank »).
- E. Câblage** - affiche si la sortie CA à laquelle la console d'alimentation est branchée est bien connectée ou non.
 - ✔ Wiring ok(câblage ok).
 - ✘ Les fils chargés et les conducteurs neutre sont inversés. Consultez la page 18 de la section Dépannage pour plus d'information à ce sujet.
- F. Mise à la terre** - indique si la console d'alimentation est branchée à une prise CA qui a une bonne mise à la terre.
 - ✔ Ground ok (Mise à la terre ok). La prise murale CA possède une bonne mise à la terre.
 - ✘ Ground Fault (Mauvaise mise à la terre). Ceci indique que la prise murale CA n'a PAS une bonne mise à la terre. Consultez la page 18 de la section Dépannage pour plus d'information à ce sujet.
- G. Voyant commuté** - indique si les prises « Switched » (commutées) sont activées (ON) ou désactivées (OFF).
- H. Voyant de délai prédéfini** - indique que les prises avec délai sont activées (ON) passé ce délai.
- I. Voyant à distance** - indique si la fonction à distance est activée (ON) ou désactivée (OFF) (contrôlée à l'aide du bouton « Remote »).
- J. Bouton à distance** - fait passer la console d'alimentation au mode Remote ON (activé à distance) lorsqu'on appuie dessus. (lorsqu'elle passe au mode Remote ON, les sorties de la console d'alimentation programmées comme étant commutées sont allumées (ON) ou éteintes (OFF) via signal externe à distance [voir à page 8 et 9.]

Fonctionnement

- K. Touche de sélection des banques** - vous permet de sélectionner les banques de sortie que vous désirez surveiller ; appuyez sur la touche à plusieurs reprises pour sélectionner une banque simple (Fig. 3a) ou toutes les banques (Fig. 3b).
- L. Touche de gradateur** - ajuste la brillance du panneau de contrôle ACL ; appuyez sur cette touche à plusieurs reprises pour modifier le niveau de brillance.

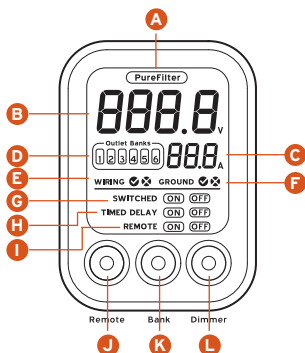


Figure 3a



Figure 3b

Prise de courant auxiliaire

La console d'alimentation est dotée d'une prise de courant auxiliaire. Cette prise comporte un filtre pour bruit numérique et est pratique pour brancher des caméscopes numériques, des caméras numériques, des lecteurs MP3 ou tout autre appareil portable alimenté par courant alternatif. Vous n'avez qu'à retirer la petite plaque qui couvre la prise en la glissant vers la droite (Fig. 4) puis brancher l'appareil.

Remarque: La prise de courant auxiliaire est contrôlée à l'aide des interrupteurs à glissière « Bank 01 » qui se trouvent sur le panneau arrière de la console d'alimentation. Consultez la page 8 pour obtenir plus de détails sur la façon de programmer les banques de sorties.

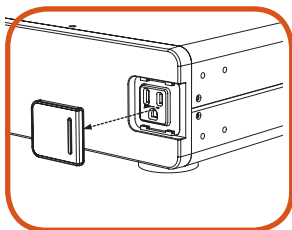


Figure 4

Dépannage

La console d'alimentation n'alimente pas les composants

- Vérifiez si la console d'alimentation est branchée dans une prise murale CA avec une bonne mise à la terre. Certaines prises requièrent qu'un interrupteur au mur sous tension pour alimenter la prise.
- Trop d'appareils peuvent être branchées à la console d'alimentation, ce qui surcharge l'unité et fait sauter le disjoncteur surchargé. La console d'alimentation n'est pas conçue pour supporter une charge de plus de 15 ampères ou 1800 watts. Débranchez des appareils puis enclenchez de nouveau le disjoncteur qui se trouve au bout de la console d'alimentation.

Pour enclencher le disjoncteur de nouveau : Attendez au moins 10

- minutes après que le disjoncteur ait sauté avant de tenter de -
l'encl-encher de nouveau. Appuyez sur le bouton qui se trouve à -
côté du cordon d'alimentation au bout de l'unité pour l'enclencher -
de nouveau. L'alimentation devrait être restaurées vers les sorties
de la console d'alimentation.
- Vos composants peuvent être branchés dans une sortie « Switched
» (commutée) et la sortie n'est pas sous tension. Vérifiez pour voir si
l'indicateur « Switched ON » sur le panneau de contrôle est allumé.
Si le votant n'est pas allumé, appuyez sur le bouton « Switched »
sur le devant de la console d'alimentation jusqu'à ce que l'indicateur
« Switched ON » s'allume. Toutes les sorties devraient maintenant
être alimentées.
- Vous ne pouvez pas mettre vos composants sous tension. L'alimentation
peut passer de la console d'alimentation mais si l'interrupteur de votre
composant n'est pas sous tension alors le composant ne peut être
alimenté. Mettez l'interrupteur sous tension sur le composant.
- Les composants du parasurtenseur peuvent être grillés. La console
d'alimentation est conçue pour ne plus alimenter les sorties lorsque
la circuiterie du parasurtenseur ne fonctionne pas bien ou a expiré.
Contactez le Service à la clientèle chez Belkin pour obtenir de l'aide.
- La console d'alimentation est peut-être défectueuse. Contactez le
Service à la clientèle chez Belkin pour obtenir de l'aide.

Dépannage

Le voyant de mise à la terre défectueuse est allumé

MISE À LA TERRE

- Vérifiez si la console d'alimentation est branchée dans une prise murale CA avec une bonne mise à la terre. (prises à 3 broches seulement. N'utilisez pas d'adaptateur 2 broches à 3 broches.)
- Si l'indicateur « Ground Fault » (mise à la terre défectueuse) est encore allumé, vous avez un problème de mise à la terre. Brancher la console d'alimentation Belkin à une prise qui n'a pas une bonne mise à la terre est dangereux et annulera toutes les garanties de Belkin. Débranchez la console d'alimentation puis consultez un électricien pour fixer la mise à la terre de la prise. Si la prise a une bonne mise à la terre et que le voyant « Ground Fault » est toujours allumé, il se peut que la console d'alimentation soit défectueuse. Contactez le Service à la clientèle chez Belkin pour obtenir de l'aide.

Le voyant Cross-Wired est allumé

CÂBLAGE

- Vérifiez si la console d'alimentation est branchée dans une prise murale CA avec une bonne mise à la terre. (prises à 3 broches seulement. N'utilisez pas d'adaptateur 2 broches à 3 broches.)
- Cela indique que les fils chargés et les connecteurs neutres (L-N) sont inversés. Débranchez la console d'alimentation puis consultez un électricien.

Pour toute questions d'ordre technique ou questions liées au dépannage, contactez le Service à la clientèle Belkin au 1(800)223-5546.

Glossaire d'électricité

Courant alternatif (CA): courant que l'on retrouve dans les prises électriques de votre domicile. Il s'agit d'un courant électrique sous forme d'onde sinusoïdale qui oscille de haut en bas de façon continue.

Amp: abréviation pour Ampère. Cela représente une unité de courant électrique.

Courant continu (CC): courant électrique qui voyage dans une seule direction. Le courant continu (cc) ne possède pas de forme ondulaire.

Interférence électromagnétique (EMI): Les interférences électromagnétiques sont générées par des appareils et plusieurs autres composants électriques, ce qui cause la dégradation de la qualité du son et de l'image des appareils audio et vidéo.

Mise à la terre: objet conducteur, tel qu'un fil, qui est connecté à une position de potentiel de tension zéro. Des points de connexion communs sont les piquets de terre ou les tuyaux d'eau froide qui sont connectés à la Terre.

Évaluation des joules: mesure d'énergie électrique. Plus l'évaluation des joules est élevée, plus grand est le nombre de pointes de tension électriques qu'un appareil peut absorber avant briser.

Pointe de tension maximale: courant maximal (en amp) qui peut être absorbé avant de briser. Plus les pointes de courant maximales sont élevées, plus grand est le nombre de pointes de tension électriques qu'un appareil peut absorber avant briser.

Perturbation radioélectrique (RFI): rayonnement électromagnétique, qui est émis par les circuits électriques qui contiennent des signaux qui changent rapidement et qui sont des sous-produits de leur fonctionnement normal, et qui provoque des interférences ou des bruits qui sont induit dans d'autres circuits.

Pointe: variation transitoire très rapide de la tension ou du courant. Plusieurs petites variations transitoires sur une certaine période, peuvent user les composants et les faire briser.

Surtension: augmentation de la tension ou du courant qui est bien au-dessus du niveau désigné pour un flux électrique donné.

Garantie sur les appareils branchés de Belkin

Belkin International, Inc. ("Belkin") garantit à vie à l'acheteur original de toute console d'alimentation Belkin, contre tout défaut de fabrication, de matériau, de design ou d'assemblage et réparera ou remplacera, à sa discrétion, tout produit défectueux sans frais.

Belkin réparera ou remplacera, à sa discrétion, tout équipement qui est endommagé par une surtension ou une pointe de tension transitoire ou par la foudre, (un « événement »), tout en étant adéquatement branché à une console d'alimentation Belkin à une ligne électrique de courant alternatif avec terre de protection. Si vous utilisez une console d'alimentation de courant alternatif Belkin qui possède une protection pour les connexions téléphoniques, de réseau ou coaxiales, ces dernières doivent être bien connectés et installés, tel qu'indiqué par Belkin à sa seule discrétion.

La garantie sur les appareils branchés est une garantie limitée qui est sujette aux limites et exclusions susmentionnées.

Belkin will spend, to repair or replace the damaged connected equipment, at Belkin's option, an amount equal to the fair market value of the damaged equipment or the original purchase price of the equipment, whichever is less, up to the maximum amount set forth below:

Modèle AP20800 jusqu'à un maximum de 350 000.00 \$ Modèles AP21100, AP41300 jusqu'à un maximum de 50000.00 \$

La valeur marchande de l'équipement indiqué pour la plus récente édition du Orion Blue Book par Orion Research Corporation, Roger Rohrs Publisher.

Belkin se réserve le droit de revoir la console d'alimentation Belkin endommagée, l'équipement endommagé et le site où s'est produit le dommage. Tous les frais d'expédition pour l'envoi de la console d'alimentation Belkin et l'équipement endommagé Belkin pour inspection sont à la charge de l'acheteur. Belkin se réserve le droit de négocier le coût des réparations. Si Belkin le décide, à sa seule discrétion, qu'il n'est pas pratique d'expédier les appareils endommagés à Belkin, Belkin peut désigner, à sa seule discrétion, un centre de réparation pour inspecter et faire l'estimation du coût des réparations de ces appareils. Les frais d'expédition, s'il y a lieu, des appareils au centre de réparation et l'estimation sont aux frais de l'acheteur. Les appareils endommagés doivent être disponibles pour inspection jusqu'à ce que la réclamation soit complétée. Lorsque la réclamation est complétée, Belkin se réserve le droit d'être subrogé par toute police d'assurance que l'acheteur peut avoir.

Toutes les garanties ci-dessus deviennent nulles et invalides si : la console d'alimentation Belkin utilisées pendant l'Événement n'est pas envoyée à Belkin pour inspection à la demande de Belkin aux frais de l'acheteur, Belkin Corporation déterminera que la console d'alimentation Belkin Power a mal été installée, altérée de quelque façon ou modifiée,

Garantie sur les appareils branchés de Belkin

Belkin déterminera que le dommage n'a pas résulté de l'Événement ou qu'aucun Événement a en fait eu lieu, la réparation ou le remplacement des appareils endommagés est couvert par la garantie du fabricant, ou Belkin déterminera que les appareils branchés n'ont pas été utilisés dans des conditions normales d'utilisation ou selon les étiquettes et directives. Toutes les consoles d'alimentation Belkin doivent être branchées directement dans une source d'alimentation et ne peuvent être « connectées en guirlande » avec d'autres bandes d'alimentation, UPS, autres parasurtenseurs ou rallonges électriques. On ne peut utiliser d'adaptateur 3 à 2 broches. Une telle installation annule la garantie. La garantie sur les appareils branchés Belkin protège seulement contre les dommages faits aux appareils qui sont bien branchés et pour lesquels Belkin a déterminé, à sa discrétion, que le dommage résulte d'un Événement, et ne protège pas contre les actes de Dieu (autre que la foudre) tels qu'une inondation, un tremblement de terre, une guerre, du vandalisme, un vol, un usage normal, une usure normale, une érosion, une déplétion, une dépréciation, un abus, des dommages causés par des perturbations de basse tension (comme par exemple des baisses de tension), des programmes non autorisés ou des modifications ou altérations de l'équipement du système. *Veuillez noter : ce produit ne doit pas servir pour les aquariums ou tout autre produits fonctionnant avec de l'eau. Utilisez seulement à l'intérieur et dans des endroits secs.

Cette garantie représente la seule garantie de Belkin. Il n'existe pas d'autre garantie, explicite ou implicite, sauf lorsque requis par la loi, incluant la garantie implicite de commerciabilité ou d'aptitude à répondre à un but particulier allant au-delà de la garantie déjà citée, est rejetée par le présent document. Certains États ne permettent pas de limites sur la durée des garanties implicites, et c'est pourquoi les limites de garantie ci-dessus peuvent ne pas s'appliquer à vous.

En aucune cas Belkin ne sont responsables de dommages directs, particuliers, accessoires, consécutifs, punitifs ou indirects y compris, mais sans s'y limiter, la perte de bénéfices ayant été néanmoins causé par l'utilisation ou la vente de toute Console d'alimentation Belkin et que Belkin ait été informé de la possibilité de tels dommages. La présente garantie vous donne des droits particuliers et vous pouvez bénéficier de droits additionnels qui peuvent varier selon les juridictions. Certaines juridictions ne permettent pas l'exclusion ou la limite des dommages incidents ou accessoires et donc les limites ci-dessus peuvent ne pas s'appliquer à vous.

La présente garantie est valide seulement pour l'acheteur original de ce produit. Toutes les réclamations de dommage pour le produit doivent être envoyées dans les 15 jours de la date de l'Événement et doivent être accompagnées d'un reçu pour les appareils endommagés ou la garantie sera invalide. La garantie est valide aux É.-U., Canada, Porto Rico et aux Bermudes. Pour envoyer une demande de réclamation dans le cadre de la Garantie pour les appareils branchés de Belkin, vous devez compléter les étapes suivantes : contactez Belkin en ligne sur le site www.belkin.com et imprimez notre formulaire de réclamation ou écrivez-nous à l'adresse :

Garantie sur les appareils branchés de Belkin

Belkin International, 501 W. Walnut St., Compton CA 90220

Au soin de : Soutien technique, ou composez le 1(310) 898-1100, poste 2263 dans le 15 jours de l'Événement. Préparez-vous à fournir les renseignements suivants :

- a. le numéro de pièce de la console d'alimentation Belkin.
- b. Les appareils qui étaient branchés à la console d'alimentation Belkin au moment de l'Événement.
- c. Les appareils qui ont été endommagés au cours de l'Événement et la portée de dommages.
- d. La date où s'est produit l'Événement.
- e. L'endroit où avez fait l'achat de la console d'alimentation Belkin.
- f. La date à laquelle vous avez fait l'achat de la console d'alimentation - Belkin.
- g. Une copie du reçu original.
- h. Un représentant du Service à la clientèle Belkin vous indiquera ensuite comment expédier vos appareils, vos reçus, la console d'alimentation Belkin utilisée au moment de l'« Événement » et comment procéder avec votre réclamation.

Veuillez enregistrer votre console d'alimentation Belkin en ligne sur notre site web à l'adresse www.belkin.com.

Belkin International, Inc. • 501 West Walnut Street • Compton • CA • 90220 Tel: 310.898.1100 • Fax: 310.898.1111

Notes

BELKIN®

www.belkin.com

Belkin Tech Support

US: 800-223-5546, ext. 2263

310-898-1100, ext. 2263

UK: 0845 607 77 87

Australia: 1800 235 546

New Zealand: 0800 235 546

Singapore: 65 64857620

Europe: www.belkin.com/support

Belkin International, Inc.

501 West Walnut Street

Los Angeles, CA 90220, USA

310-898-1100

310-898-1111 fax

Belkin Ltd.

Express Business Park, Shipton Way
Rushden, NN10 6GL, United Kingdom

+44 (0) 1933 35 2000

+44 (0) 1933 31 2000 fax

Belkin B.V.

Boeing Avenue 333

1119 PH Schiphol-Rijk, The Netherlands

+31 (0) 20 654 7300

+31 (0) 20 654 7349 fax

Belkin Ltd.

4 Pioneer Avenue

Tuggerah Business Park

Tuggerah, NSW 2259, Australia

+61 (0) 2 4350 4600

+61 (0) 2 4350 4700 fax

© 2007 Belkin International, Inc. All rights reserved. All trade names are registered trademarks of respective manufacturers listed.

© 2007 Belkin International, Inc. Tous droits réservés. Toutes les marques de commerce sont des marques déposées des fabricants respectifs énumérés.